

A Survey on: Monitoring Of Poultry Farm Using IOT

Archana M P¹, Uma S K², Raghavendra Babu T M³

¹P.G. Student, Department of Computer Science and Engineering, P.E.S. College of Engineering, Mandya, Karnataka, India

²Associate Professor, Department of Computer Science and Engineering, P.E.S. College of Engineering, Mandya, Karnataka, India

³Assistant Professor, Department of Computer Science and Engineering, P.E.S. College of Engineering, Mandya, Karnataka, India

ABSTRACT: Focus is on communication of remote sensors and GPRS system to monitor the natural parameters like temperature, humidity, poison gas (ammonia) and so forth in poultry farm. The person in-charge of poultry farm can get the inner ecological circumstance of poultry farm by seeing the message on enrolled portable number. Framework will monitor the activity naturally the above said ecological parameters when there is a sudden change in the atmosphere. Water level control and sustenance control instrument is moreover checked and controlled with the assistance of sensor. Every sensor in the system is associated with the raspberry pi which can control and screen all information. The detail records of poultry farm with natural condition are stored in database. Therefore the framework configuration gives an effective computerized poultry cultivate checking framework to screen the sound environment for chickens in poultry cultivate without human obstruction.

INDEX TERMS: Microcontroller, Wireless sensors, Intelligent farm and Embedded System

I. INTRODUCTION

Day-by-day robotization advancements think of new and inventive thoughts. This examination concentrated on present day advances for a poultry cultivating to control every single ecological parameter like temperature, humidity, smelling salts gas and smoke which are the consequences for the development of the chickens. In the event that the ecological condition isn't up to the stamp at that point there might be harmful for digestive, respiratory and behavioural change in the chickens. In the event that chickens may get appropriate environment and legitimate nourishment then it might develop quickly and wellbeing of chickens will be great so the heaviness of the chickens will be increments. Atmosphere assumes vital part in the development of the chicken. Smart Poultry farm designed in way so that the atmosphere can be changed by ventilations, cooling and radiator. Presently checking and controlling of NH₃ that is alkali gas. The parameters like Ammonia gas, Water level, Humidity and Temperature are monitored and controlled by microcontroller. The transmitted information ought to be getting by recipient and afterward transmitted to the GPRS through the microcontroller. The capacity to screen ecological conditions is urgent and it requests a decent level of research in fields running from the adjustment in atmospheric conditions in agribusiness. This exploration canters around the remote sensor and GPRS connect with a sensors joining stage utilizing programmed detecting. Smart Sensing Platform is utilized to screen the natural Parameters in poultry cultivate. This will make work simpler and proficient in poultry cultivate administration. In the atmosphere of poultry houses the health of chickens is absolutely needed. In the event that atmosphere conditions are not up to the mark then they may cause problem to digestive system, respiratory system and which indicates behavioural disorders in the chickens. Healthy chicken grow quickly and person in-charge will get the profit. Poultry farm outlined in such way that the atmosphere can be changed by ventilation, cooling, and lighting protection at rooftop based on floor area. The feathered creatures are specifically encompassed by the microclimate. Smaller scale atmosphere is the most imperative for wellbeing of fowls. Shed's atmosphere might be great yet it may not be appropriate for winged creature's environment. Take an example CO₂ is a heavy gas and level is higher near the ground near the bird's micro climate. The Chickens normally have a long life creature which acknowledges light incitement to proceed with the producing procedure. The direct impacts of light to chickens invigorate endocrine organs to either postpone or support development amid the agonizing time frame.

Most essential part in chicken cultivating is sustained. Nourishing high calibre, fresh and nutritious sustenance dependably guarantees great wellbeing, appropriate development and high creation. Thus, it is essential to encourage chickens sound and nutritious nourishes. It is important to add required vitamins and minerals to their encourage. Diverse sorts of Commercial poultry bolsters are effortlessly accessible in the market. You can easily feed it to your birds. Alongside sustaining your winged animals high calibre and nutritious bolsters, dependably serve them adequate measure of crisp and clean water as indicated by their request. The supplement admission of flying creatures may differ from place to put by the seasons and climatic changes. At whatever point chickens are limited from devouring the measure of nourish they want, egg creation will stop. A normal laying hen will require ¼ pound of sustain every day, contingent upon variables, for example

size of the chicken, climate conditions and level of profitability. Presently day's cutting edge innovations overcome on the customary technique which is extremely appropriate for the chicken development. Utilizing Remote sensor system and DC engine framework has outlined a sustenance control modem for chicken. So sustenance ought not to get waste and labour has diminished. Water administration for poultry cultivate tasks is a subject of much discussion amongst veterinarians and live generation faculty. The use of water fermentation as a preventive or treatment for sickness of chickens or to enhance chickens execution is presumably a standout amongst the most inadequately comprehended zones of poultry.

The water fermentation conventions for the aversion or administration of certain bacterial illnesses had been created. Drinking water pH at winged creature level is 4.0 or beneath it. Poultry cultivate water treatment through fermentation of the drinking water ferments the yield. Water quality administration in poultry cultivate is vital for chicken's execution. Steady and continuous observation of poultry is required not necessary when issues are watched but rather to check standard exercises inside the poultry cultivate. Water supplement have not gotten consideration until the point that an issue emerges. Proprietors of poultry endeavour to give spotless and sufficient water amount to the chickens in cultivate. Owners should also know details about the water that will be flowing through the water pipe lines.

II. LITURATURE SURVEY

Muhammad Ammad-Uddin, et. al. has established, A Solution for Poultry Farming. Chicken is a high source of proteins. To control and monitor the poultry diseases author has been designed a modern chicken farm by using wireless sensors network. It helps to improve the quality and quantity of chicken. Chicken farming has two categories (1) Egg Production poultry farm and (2) Meat production Poultry farm. This proposed system will improve the productivity of chickens, quality as well as economy. [1]Internet based Smart Poultry Farm method proposed by K. Sravanth Goudet. al. has focused remote sensor system and portable system to control and naturally screen ecological parameters of poultry. Individual can ready to screen natural parameters by sending SMS back to the framework. Parameters like temperature and humidity. [2]Siwakorn Jindarat, et.al. If framework doesn't get charge from enrol portable number, at that point it will naturally play out its activity. Thus by utilizing this cutting edge method framework can give an advanced procedure to cultivate computerization. To solve the problem author as utilized Raspberry Pi and Arduino Uno. This framework should screen the encompassing parameters of poultry condition counting moistness, temperature, atmosphere quality and the channel fan switches. This framework is discovered exceptionally basic and valuable for formers, as they can successfully control the poultry cultivate whenever and from anywhere. [3]RupeshI.Muttha, et.al. It is observed that present chicken farming is all the more simple and valuable as contrast with customary chicken cultivating. With the assistance of present day strategy it is additionally conceivable to screen the ecological conditions like moistness and temperature. For an entire care of chicken it is essential to screen and control the earth of poultry [4] for the better development of chickens. The Poultry sheds can be controlled 24 hours via mechanization. It is helps to give an ideal yield by decreasing manual control in poultry. Boopathy.S et al. has elaborated the performance of poultry farm using an embedded automation. This system discussed the measurement of different environmental parameters of the poultry farm such as temperature, humidity, level of water and valve control. [5]Rupali B. Mahale, et al. has studied application of IOT and wireless sensor network in a smart poultry farm monitoring to improve the quality of the chicken as well as farm production. Level of awareness regarding the safety of food products like chickens and there has been a high demand for good quality chicken food. The system high light the technology based solution for low cost, asset saving, quality oriented and productive management of poultry farming. This system intended to explore utilizing an intelligent system using embedded framework for design of smart farm. [6]

III. METHODOLOGY

At present in poultry cultivate bring forth of eggs done by help of counterfeit strategy. There will be a light with a specific end goal to keep up the temperature at certain level. Temperature can be measured in the tray for a certain interval of time. In the event if the temperature goes surpasses or beneath the recommended level, it will be balanced manually. Included with this there will be a human mediation for sustenance bolstering for hens. Henceforth this paper will give a framework to automatic each one of those parameters as said above. It will be done by help of microcontroller. Temperature and Humidity sensors will be put in the tray and afterward it is interfaced with control unit. When the information about the parameters received the person will switch the cooler and open the ventilation. Likewise time based nourishment bolstering done consequently by consolidating real time clock (RTC) with them. There additionally temporary to screen the level of food at container. If it gets empty, valve will open automatically. Hence it diminishes the manual work.

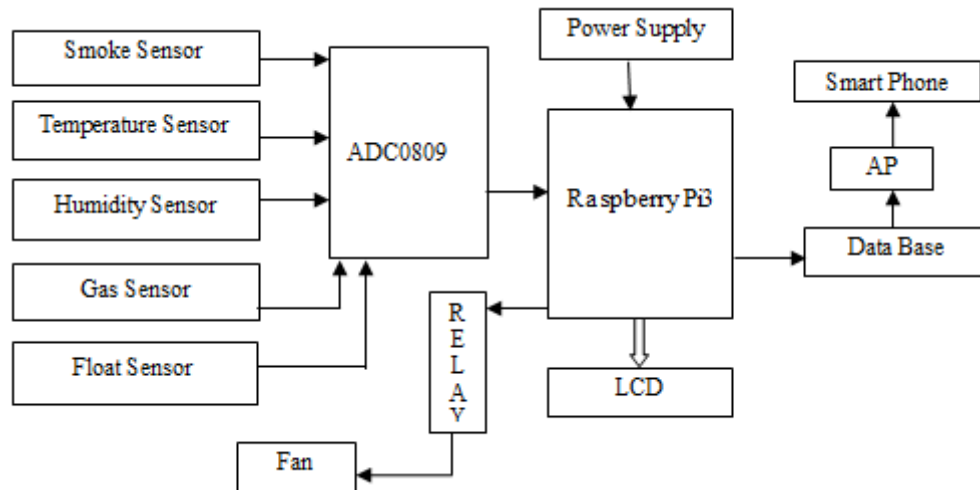


Fig1: Smart Poultry Automation and Management System

As shown in fig1, all the components of the automatic farming system are demonstrated on Raspberry pi3. The framework can ready to screen continuous information checking of ecological parameters like most elevated or least temperature, humidity, climate quality of surrounding farm, water level, level of ammonia gas and so on. Water supply and food supply control and monitor using the advanced technology of wireless sensor without human interference. Framework sends present data of all parameters through message on enlist portable number. Every day records of poultry have kept up on a webpage. Sensors has been perused the natural information in poultry farm and the details of ecological parameters like temperature, mugginess, smelling salts gas and the current water level has shown on LCD screen. A container has been loaded with sustenance, whenever it gets an order for framework it should be dropped nourishment into the plate of chickens according to the prerequisite. If the food is already present in the container and though system receives command for food drop, system will sense the current amount of food which already present in a plate, if it is enough then container will not drop food and if it is less, it will only drop the food required amount of food in to plate. Water assumes imperative part in poultry, chickens day by day required spotless and adequate measure of water. Water quality administration has intended to enhance the execution of the chickens in poultry it helps to monitor health of the chickens. In level sensor has been settled to the water compartment, so whenever the level of water goes down below the threshold value of water, it gives indication on screen as well as on register mobile number. The person in charge of the poultry farm can able to receive information of the change in environment of chicken poultry farm on registered mobile number. Similarly, can able to maintain the record of poultry environmental parameters on web portal for a study and guideline purpose for future.

IV. CONCLUSION

The framework is inventive for chicken cultivating, which changes a customary ranch to a "Brilliant Farm" or "Wise Farm". What's more, the framework could take a shot at the use of the advanced cells pushing the proprietor to screen continuous ecological settings, for example temperature, moistness and gas leakage. In this framework depicts an Integrated Solution for Smart Poultry Monitoring Using WSN (remote Sensor Network) and GPRS System. Observing ecological parameters in a constant industry are pivotal. Different ecological parameters for compelling development of chickens have been distinguished and characterized. It likewise clarifies the technique for Food Control Mechanism for poultry cultivate. Edge estimations of temperature, humidity, lighting, smelling salts gas furthermore, food valve screen and control by the microcontroller. And in addition remote checking is done and with the assistance of this office, the individual in-control can watch the circumstance of inward structure of poultry by sitting in a one room as information will be show on a web-based interface. The keen framework can diminish cost, time, and work is very easy to understand to the agriculturists. This perfect framework will enhance the human sustenance prerequisites by enhancing quality and amount of chicken. This framework will likewise help in diminishing condition contamination and enhancing health of poultry work and chicken purchaser.

References:

- [1] Muhammad Ammad-uddin, Muhammad Ayaz, El-Hadi-Aggoune, Muhammad Sajjad. Wireless Sensor Network: "A Complete Solution for Poultry Farming". IEEE 2nd International Symposium on Telecommunication Technologies (ISTT), Langkawi, Malasia (24-26 Nov 2014)

- [2] K. Sravanth Goud and Abraham Sudharson, "Internet based Smart Poultry Farm, Indian Journal of Science and Technology", Vol (19), IPL101, August 2015.
- [3] Siwakorn Jindarat and PongpisittWuttidittachotti. "Smart Farm Monitoring Using Raspberry Pi and Arduino". IEEE 2015 International Conference on Computer, Communication, and Control Technology (I4CT 2015), April 21 - 23 in Imperial Kuching Hotel, Kuching, Sarawak, Malaysia, 2015.
- [4] RupeshI.Muttha, SanketN.Deshpande, Megha A. Chaudhari and Prof. NiveditaP.Wagh, "PLC Based Poultry Automation System", International Journal of Science and Research, volume: 3, Issue: 3, June 2014.
- [5] Boopathy.S 1, Satheeshkumar.M 2, Mohamed Feroz.A 3, Dinesh.R 4 PG Student, Department of Embedded System Technologies' Anna University, Regional Centre, Coimbatore, India1, 2 ,3, 4, "Performance Optimization of Poultry Farm By Using Instrumentation with Help of Embedded Automation", International Journal of Innovative Research in Science, Engineering and Technology An ISO 3297: 2007 Certified Organization, Volume 3, Special Issue 1, February 2014 International Conference on Engineering Technology and Science-(ICETS'14).
- [6] Rupali B. Mahale, Dr. S. S. Sonavane, "Smart Poultry Farm Monitoring Using IOT And Wireless Sensor Networks", International Journal of Advance Research In Computer Science, Volume-7, No. 3, May-June 2016. ISSN No. 0976-5697