

IOT Based Surveillance Robotic Car Using Raspberry PI

Mayank Dharaskar¹, Vatan Gupta², Priyanka Kale³, Reeta Chopade⁴, Aayush Jaiswal⁵,

Prof. Sharadkumar Ghadale⁶

^{1,2,3,4,5}Student, Dept. of Electronics and Communication Engineering, DBACER college, Maharashtra, Nagpur

⁶Professor, Dept. of Electronics and Communication Engineering, DBACER College, Maharashtra, Nagpur

Abstract - Developing surveillance and monitoring systems can be quite challenging at times, since the systems should be designed with consideration of the environment to be monitored. Good surveillance systems need to have dynamic features, e.g. monitoring cameras. Monitoring such a large area would also be a challenge for the security officers, as they will need to spend too much time to patrol covering all places. To address the challenges like surveillance of a large building with many levels, which would insure a high cost to install many cameras at many places dynamic surveillance systems include dangerous areas.

Key Words: Raspberry Pi3, Robotic Chassis, Web, USB Cameras.

1. INTRODUCTION

Raspberry Pi is a card sized computer. It functions almost same as a computer. There are different types of surveillance systems available such as camera, CCTV etc., In these types of surveillance systems, the person who is stationary and is located in that particular area can only able to view what is happening in that place. Whereas, here, even if the user is moving from one place to another, he/she can keep track of what is happening in that particular place at exact time. Also, another advantage is that it offers privacy on both sides since it is being viewed by only one person. The other big advantage is that, it is a easy and simple circuit for understanding and designing. The operating system used here is Raspbian OS. Raspbian OS has to be installed so that the image can be transmitted to the smartphone Closed circuit television monitoring system has now become an indispensable device in today's society. Robots have found an drastically increasing demand for different range of work in our life. Their use in army and other security sector increases day by day. Our paper includes one such instance of how a robot can be of use to human race in general.. In this project, we use the internet to establish communication between the user and a robotic vehicle. This is a dependable connection and a continuous video feedback is available to control the robotic vehicle. Due to the use of the web, there is no limitation on range or distance between the user and the robotic vehicle. It is proposed to address the lower side at cost, efficient, high-speed processing & control hardware for the self-navigating robotics application. Design and Implementation of a Robotic Vehicle with Real-Time Video Feedback Control via Internet/web paper illustrate on an

approach to control a robotic vehicle using the internet as the communication medium between the user and robotic vehicle. Raspbian OS has to be installed so that the image and videos can be seen to the smartphone directly. Closed circuit television monitoring system has now become an indispensable device in today's society. There are afferent places such as school, supermarkets, society security where we are having their own CCTV system for 24/7 monitoring

2. METHODOLOGY

This is the internet of things (IOT) based project , where we are particularly uses the Raspberry Pi, USB web camera and two DC motor with Robot chassis to build this Robotic car setup. It has a web camera mounted over it, through which we will get live video feed and the interesting part here is that we can control and move this robot from a web browser over the internet. As it can be controlled using webpage, means it can also be controlled by using the other smart devices where we can control through the webpage. We built a webpage in HTML which has Left, Right Forward Backward links, clicking on which we can move the robot in any direction. Here we use the term "Motion" for getting live Video information from USB camera and used "Flask" for sending commands from webpage to Raspberry Pi using python script to move the Robot. The webcam will capture live data with regards to its surroundings and then send it to a desired device through internet. The user will be observing this data on the monitor at the user end. According to the desired movement, the user will control the robotic vehicle through the webpage available at the user end.

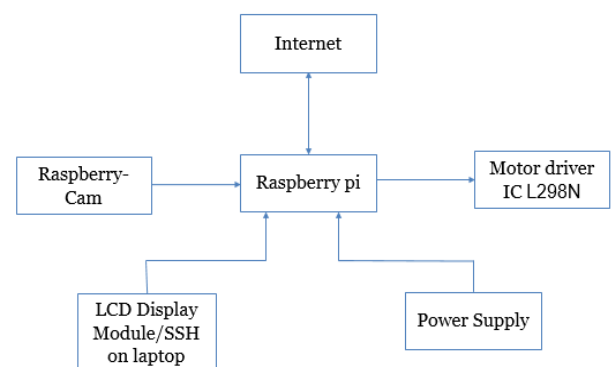


Fig.: Block Diagram of Setup

6. APPLICATION

1. Indoor spying of warehouse, campus surveillance to check the improper activities.
2. Tracking locations of terrorist organizations and then plan an attack at a suitable time.
3. Making video surveillance of any disaster affected area where human beings can't go.
4. Field view surveillance of indoor & outdoor commercial complex, factories & government buildings/organization.

7. FUTURE SCOPE

There are lots of improvements that can be made on the current design and technology and lots of additional feature can be added. We can use different types of sensor so that we can use robot in different field i.e. Temperature Sensor, Pressure Sensor, Heat Sensor, Position Sensor, Proximity Sensor. A multipurpose robot can be made by wireless network, ranging from surveillance and home security to industrial applications where the user need not be present at the work place in person but can do it from his home itself.

8. CONCLUSION

In this project we used raspberry pi working on Raspbian OS. As the communication is done with the help of internet so limitation of range of operation does not arise and thus we can monitor any remote areas. One can easily monitor as well as control the activity of the robotic unit.

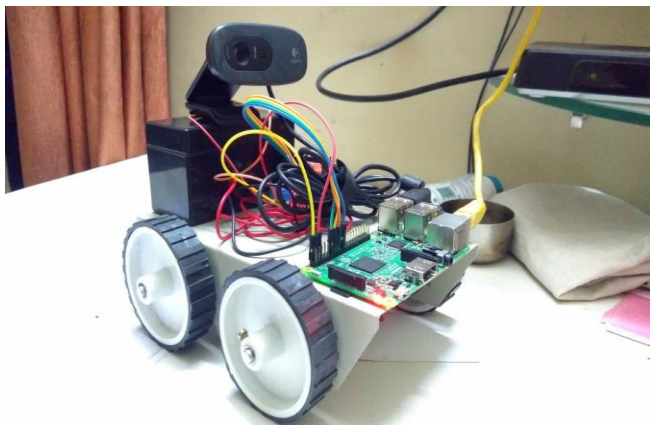


Fig.: Robot Setup

9. REFERENCES

- [1] www.electronicsforu.com
- [2] www.circuitdigest.com/webcontrolled-robotic-surveillance-car

[3] International general of Computer Applications – March 2015

[4] International Journal of Emerging Technology and Advanced Engineering

[5] Website: www.ijetae.com (ISSN 2250-2459, Journal, Volume 5, Issue 10, October 2015)

[6] International Research Journal of Engineering and Technology (IRJET) e-ISSN: 2395 - 0056 Volume: 04 Issue: 03 | Mar -2017 www.irjet.net

[7] Robotic Vehicle Control using Internet via Webpage and Keyboard – International journal of computer application Volume 117 14 Mar.2015.