

Wildlife monitoring system using zigbee

Prof.Gujar. M. P.¹, Vilesha Bhandirge², Namrata Chavan³, Shraddha Chavan⁴.

¹ Assistant Professor, Department of Electronics and Telecommunication Engineering, Dr. Daulatrao Aher College of Engineering, Karad, Maharashtra, India.

^{2,3&4} Student, Department of Electronics and Telecommunication Engineering, Dr. Daulatrao Aher College of Engineering, Karad, Maharashtra, India.

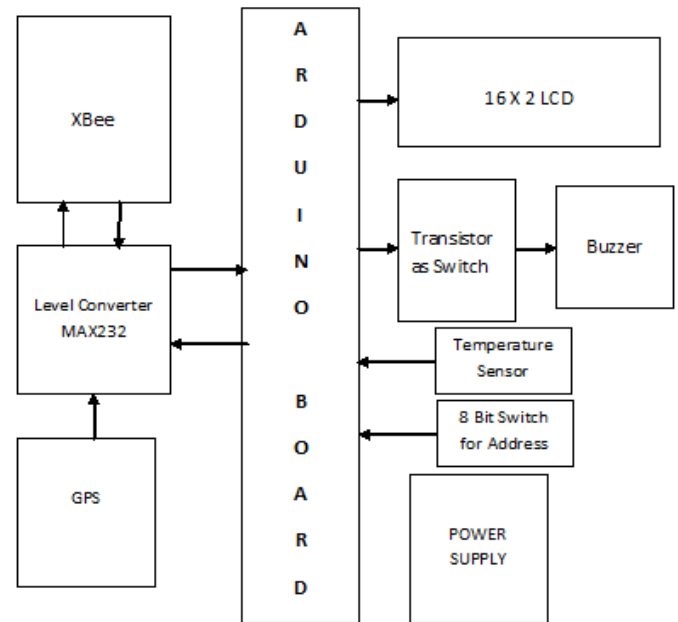
Abstract - Animal detection plays a vital role in day to day life. It is important to detect the presence of animals entering into the human living areas near the forest, since it causes damage to life of people living near by the forest areas. Some animals also undergo some disease, if they met with some accident or are hurt then we have to cure their wounds, in such cases we need to catch those animals and do the required treatments. Main problem in such situations is that in large wildlife sanctuaries these animals are really hard to locate. Due to this many times we have to search the entire area. To avoid such problems we are implementing a project called "Wildlife Monitoring System". In this project temperature sensor used to monitor health of animals. To track the location of animals GPS system used. Temperature and location will be display on LCD and also this data send to particular mobile using Bluetooth.

of animal. It enables us to track target in any weather conditions. This system uses GPS and Bluetooth technologies and enables simultaneous tracking of thousands of animals with transmitters.

Objective:

The main objective of this project is to protect wildlife within park boundaries. To passively support the conservation of native animals using low cost engineering technology and animal welfare.

Block Diagram:



Block Diagram Description:

Temperature sensor:

We have used temperature sensor to detect the body temperature of animal. Temperature sensor is an analog sensor. Which means it gives variable voltage as per the variation in the body temperature.

Key words: Tracking system, Zigbee, Bluetooth, Sensor, Wireless Transmission.

Introduction:

As human race or human society is growing, the wildlife animals or wild animals are in danger. But as per nature's rule, every living creature on this earth is important and has important role in ecosystem. Also we get some medicines or useful drugs from some animals. We have already realized this, so in every country we see that there are wildlife animal reserves and national parks where these animals can live freely in forest or in a jungle however these are monitored by human beings. But these animals also undergo some disease or there can be some situations where human being attention is required for these animals like vaccination of these animals. If they met with some accident or are hurt then we have to cure their wounds, in such cases we need to catch those animals and do the required treatments. If animal moves inside the animal reserves for forest then the particular variable location parameters are received. We also use a temperature sensor in this project, if the animal has fever or if there are some wounds on animal body and because of wounds temperature of animal rises then we can send sms to the forest officer so he can give immediate attention. This tracking system can inform you the location

