

VOLTAGE CONTROLLER FOR THREE PHASE D-STATCOM TO COMPENSATE NON LINEAR LOADS

v.jayaraj, k.padma

PG scholar, Electrical Department, Andhra University College of Engineering, Andhra University, Visakhapatnam, Andhra Pradesh, India.
Associate Professor, Electrical Department, Andhra University College of Engineering, Andhra University, Visakhapatnam, Andhra Pradesh, India.

Abstract—In a distributed system D-STATCOM is used to compensate nonlinear loads. The proper operation of D-STATCOM will maintain system voltages unchanged. A fast acting voltage controller for D-STATCOM is presented in this paper. The detailed simulation and experimental studies are carried out to validate proposed model.

Key Words:D-STATCOM,H-type inverter model,Simulation.

1. INTRODUCTION

The Transients will effect voltage of the distribution network. Power Quality has become an important, many loads at various distribution ends like adjustable speed drives, process Industries, Printers, domestic Utilities, computers, microprocessor based equipment etc. power quality mainly deals with issues like maintaining a fixed voltage at the Point of Common Coupling for many distribution voltage levels .

2.DSTATCOM CONNECTED TO DISRIBUTION SYSTEM

The three phase D-STATCOM is connected to the distribution network at the point of common coupling to compensate nonlinear loads as shown in figure 1.d-statcom is controlled by H-type inverter model to make the operation of the D-STATCOM faster.

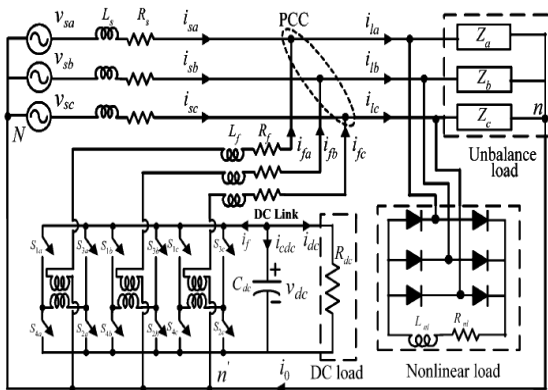


Figure 1 DSTATCOM connected to distribution network

3. FAST ACTING VOLTAGE CONTROLLER FOR D-STATCOM

A Fast acting H-type inverter is used for voltage controlling of D-STATCOM In this inverter model for three phases (a,b,c) and neutral wires are present .In this inverter model four legs are present.each leg contains two switches during its operation only one switch in each leg is ON and the other switches are OFF as shown in figure 2.

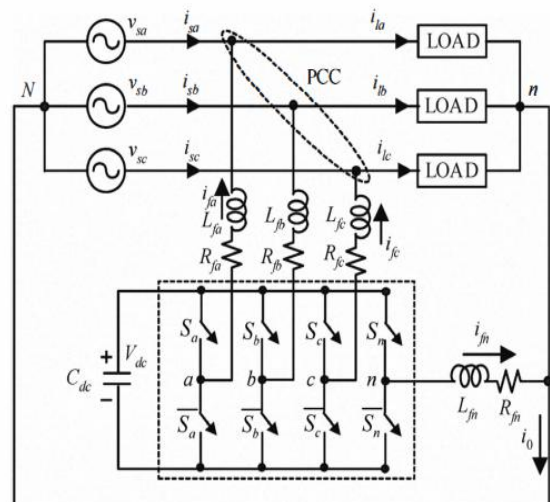
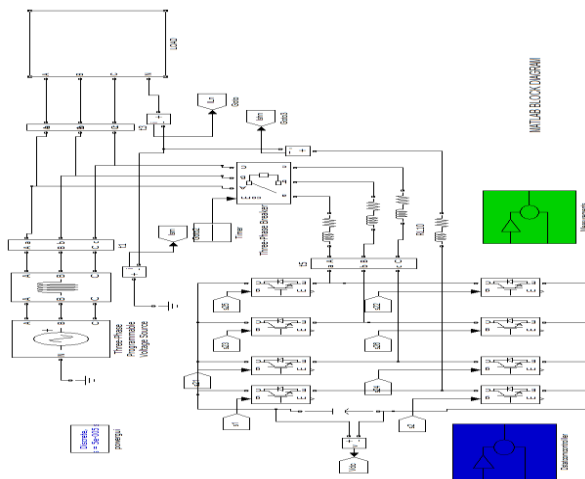


Figure 2 H-bridge inverter model

4. MATHEMATICAL MODELLING

The proposed simulation model is shown in figure3.This model is used to eliminate harmonics and compensate nonlinear loads in the system. The state-space equations are solved to compute the actual compensator currents and dc-link voltage. These actual currents are compared with the reference currents using hysteresis current control.



5. SIMULATION RESULTS

The simulation results of the proposed model is shown in figure 4 in which the harmonics are eliminated and power quality is achieved by the system using D-statcom controlled by H-bridge inverter model for fast operation of the device.

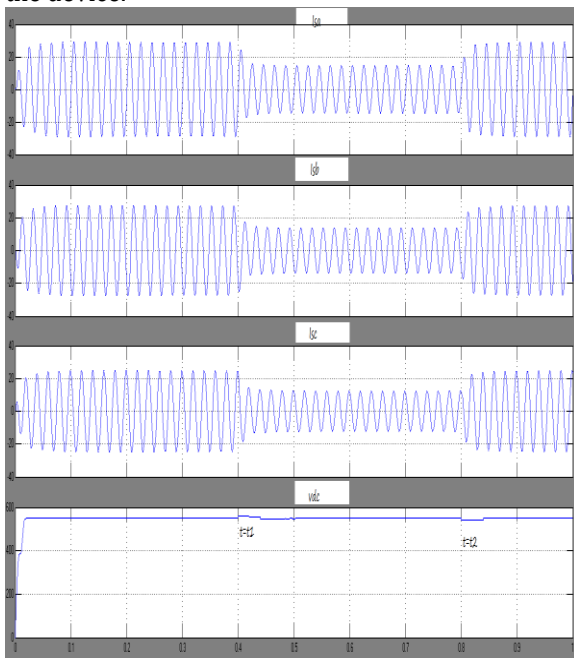


Figure 4 Simulation results of source voltages, source currents and load currents after compensation.

6. CONCLUSION

The voltage controller for D-STATCOM is used to compensate nonlinear loads and also to make D-STATCOM act fast during transients. By using this model a better power quality is achieved by eliminating harmonics and distortions. The H-bridge controller gives fast transient response under load transients.

7. REFERENCES

- [1] D. Vilathgamuwa, H. M. Wijekoon, and S. S. Choi, "A novel technique to compensate voltage sags in multilane distribution system and the interline dynamic voltage restorer," *IEEE Trans. Ind. Electron.*, vol. 55, no. 5, pp. 1603–1611, Oct. 2006.
- [2] H. Akagi, Y. Kanazawa, and A. Nabae, "Instantaneous reactive power compensators comprising switching devices without energy storage components," *IEEE Trans. Ind. Appl.*, vol. IA-20, no. 3, pp. 625–630, May 1984.
- [3] H. Kim, F. Blaabjerg, B. B. Jensen, and J. Choi, "Instantaneous power compensation in three-phase systems by using p-q-r theory," *IEEE Trans. Power Electron.*, vol. 17, no. 5, pp. 701–709, Sep. 2002.
- [4] F. Z. Peng and J. S. Lai, "Generalized instantaneous reactive power theory for three-phase power systems," *IEEE Trans. Instrum. Meas.*, vol. 45, no. 1, pp. 293–297, Feb. 1996.
- [5] T. Furuhashi, S. Okuma, and Y. Uchikawa, "A study on the theory of instantaneous reactive power," *IEEE Trans. Ind. Electron.*, vol. 37, no. 1, pp. 86–90, Feb. 1990.
- [6] A. Ghosh and A. Joshi, "A new approach to load balancing and power factor correction in power distribution system," *IEEE Trans. Power Del.*, vol. 15, no. 1, pp. 417–422, Jan. 2000.
- [7] S. Kim, M. H. Todorovic, and P. N. Enjeti, "Three-phase active harmonic rectifier (AHR) to improve utility input current THD in telecommunication power distribution system," *IEEE Trans. Ind. Appl.*, vol. 39, no. 5, pp. 1414–1421, Sep./Oct. 2003.
- [8] R. Redl and A. S. Kislovski, "Telecom power supplies and power quality," in *Proc. 17th Int. Telecommunications Energy Conf.*, Denmark, Oct. 29–Nov. 1 1995, pp. 13–21.
- [9] M. M. Jovanovic and Y. Jang, "State-of-the-art, single-phase, active power-factor-correction techniques for high-power applications—An overview," *IEEE Trans. Ind. Electron.*, vol. 52, no. 3, pp. 701–708, Jun. 2005.