

INTERNET OF THINGS BASED HAZARDOUS GAS LEAKAGE DETECTION WITH GSM,GPRS

Prof. Soniya Milmile¹, Ashwini Meshram², Apeksha Sakhare³, Priyanka Bansod⁴, Moin Ansari⁵

¹Assistant Professor, Department of ETC, Guru Nanak Institute of Engineering and Technology, Nagpur, India.

¹²³⁴⁵Department of ETC, Guru Nanak Institute of Engineering and Technology, Nagpur, India.

Abstract - Leakage of gas is a significant issue in modern areas, private structures, and internal combustion vehicles, one of the preventive methods to stop mishaps related to gas leakage is to install gas leakage detection devices. The focal point of this work is to propose a gadget that can identify gas leakage and caution the proprietors to deflect issues because of gas leakages. The framework depends on a microcontroller that utilizes a gas sensor as well as a GSM module, a LCD display, and a ringer. The framework was intended for gas leakage checking and cautions with SMS by means of an Arduino microcontroller with a signal and a MQ2 gas sensor. The circuit contains a microcontroller MQ2 gas sensor, a signal, an LCD display, and a GSM module. At the point when the sensor recognizes gas leakage, it communicates the data to the microcontroller while the microcontroller pursues a choice and then sends an admonition message to the client as an SMS to a portable telephone for the choice to be taken appropriately. The result of this exploration will be critical in deflecting issues related with gas leakages now and in future
Key Words: Gas Leakages, GSM module, Gas Leakage Detector, Gas Sensor, GSM module.

in small quantity, due to the odorless of these Chemical ethyl mercaptans are added as an odorant to give a powerful scent so that when leakage occurs, it can be perceived [2]. However, in a situation of the minimum quantity of gas leakage, some people have a poor sensing ability to perceive, so more reliable and effective device use in detecting gas (gas leakage detector) has to be installed in homes, industries, and vehicles of LPG usage to avoid explosion. LPG spillage alludes to a few elements, for example, spillage in the line, hoses not appropriately fixed, whistling or hissing sound around the cylinder, the valve is not fitted properly.

There are different ways of detecting gas leakage, and there are existing LPG detectors. Possibly sound out an alert when there is spillage and there is still improvement that could be made to the existing ones. in which a microcontroller activate the alarm and sends a message through SMS to the appropriate personnel. The core of the paper is to make a gadget that can distinguish LPG spillage as a feature of a safety measure and automatically send an SMS to the appropriate personnel, which will activate an alarm immediately after gas leakage is detected in order to prevent wastage of the gas and also explosion which could lead to damaging of properties and other calamities [3]. The focus of this work is to design a system that monitors gas leakage in an enclosed system using an Arduino Uno microcontroller and an alarm system to alert people within leaky neighborhood, while SMS will be sent to the premises proprietor or security association to make.

To implement an IoT-based hazardous gas leakage detection system with GSM and GPRS on the Aptos blockchain, you would need to develop the necessary smart contracts and integrate them with the IoT devices and communication protocols. You can use the Move language to write the smart interact with the blockchain. However, as a blockchain platform, Aptos can provide a secure and transparent infrastructure for IoT applications, including gas leakage detection systems. Developers can leverage the features of Aptos, such as the gas schedule and the Move language, to build and deploy IoT applications on the blockchain. They can also utilize the high

1. INTRODUCTION

Gas leakage is a significant issue in modern area, private premises, and internal combustion vehicles like CNG (Compressed Natural Gas) buses and cars, where the use of gas has become an important source of energy (STET, 2012) to the afore mention area in this era. The issue of Melted petroleum Gas leakage has been so tragic, that it has resulted in serious harm, including the loss of life and property worth millions of dollars around the world. The devastating pipeline blast has occurred in various parts of Nigeria. resulted in the deaths and injuries of many people and the loss of property [1].

Gas is the most commonly used fuel in Nigerian homes and industry, and some required measures have to be strategized in order to protect against incidents and accidents such as suffocation and explosion associated with its usage. LPG is a highly inflammable gas made up of a mixture of butane and (C₄H₁₀) and propane (C₃H₈) through butylene and prophylene and another hydrocarbon present in small quantity, due prophylene and another hydrocarbon present

throughput and low latency of the Aptos blockchain to ensure real-time data processing and secure communication between IoT devices.

2. LITERATURE REVIEW

The literature on IoT-based hazardous gas leakage detection with GSM/GPRS integration highlights the significance of real-time monitoring for industrial safety. Research often emphasizes the integration of sensors for accurate detection and the use of GSM/GPRS for swift data transmission and alert systems. Studies explore various gas detection technologies, such as MQ series sensors, and address challenges like sensor calibration and reliability. Additionally, the literature underscores the importance of energy-efficient designs for prolonged device operation in remote locations. Overall, the focus is on enhancing safety measures through advanced connectivity and sensing technologies in hazardous environments.

3. Block Diagram

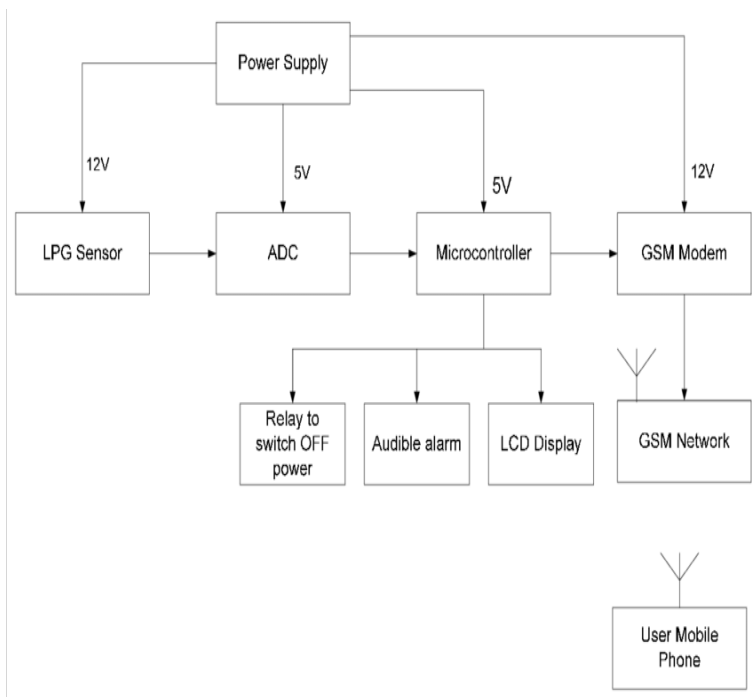
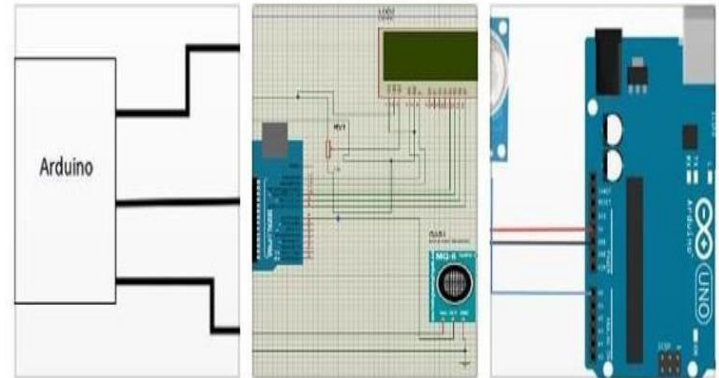


Fig-1: Proposed System Block Diagram

4. Circuit Diagram

Fig-2: Circuit Diagram



1. Power Supply

A power supply is an electrical device that provides electric capacity for an electrical load. The main reason for a power supply is to change electric flow from a source over completely to the right voltage, flow, and frequency to power the load. Subsequently, power supplies are sometimes referred to as electric power converters. Some power supplies are isolated, independent bits of gear, while others are constructed into the load appliances that they power. Instances of the last option incorporate power supplies tracked down in work area computers and consumer electronic devices. Different capabilities that a power supplies might perform include restricting the flow of energy attracted by the heap to safe levels, closing off the flow in case of an electrical shortcoming, power molding to forestall electronic commotion or voltage floods on the contribution from coming to the load, power-factor remedy, and putting away energy so it can keep on driving the heap in case of a temporary interruption in the source power.

2. LPG Sensor

Sample paragraph, The entire document should be in cambria font. Type 3 fonts must not be used. Other font types may be used if needed for special purposes. The entire document should be in cambria font. Type 3 fonts must not be used. Other font types may be used if needed for special purposes.

3. ADC

Analog-to-digital conversion (ADC) is an electronic cycle wherein a consistently factored, or simple, signal is changed into a staggered computerized signal without modifying its fundamental substance. A simple-to-digital converter changes a simple sign that is nonstop as far as both time and

